

A 5 lever mortice lock commonly used on service ducts and riser doors in secure establishments

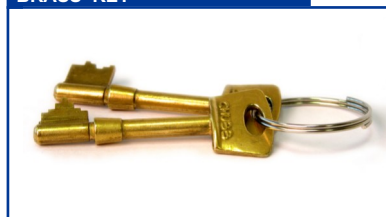
Features

- Steel Body
- Brass deadbolt with 14mm throw
- Anti-padsaw steel rollers
- 5 lever mechanism offering over a thousand key combinations
- Built in protection against picking, drilling, force and torque attack
- Brass key
- Optional micro-switches for alarm system integration
- Can be suited as part of a master keyed system

ANTI-PADSAW BOLT



BRASS KEY

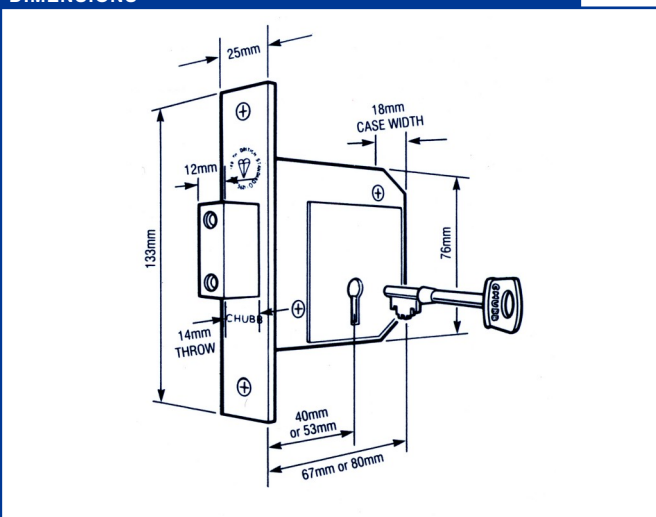


ANTI-DRILL PLATE



3G114 - 5 LEVER MORTICE LOCK

DIMENSIONS



DURABILITY TESTING

Key Operations	60,000
Handle Operations	300,000
Salt Spray	50 hours

ORDERING AND INSTALLATION

This lock should not be fitted to a wooded door less than 44mm thick. When fitting to steel doors and grille gates the lock must be housed within the special outer steel box which is welded to the gates. For steel faced doors the outer steel box can only be fitted during the door

manufacture stage and therefore must be ordered well in advance. This literature is designed as a guide to the extensive range of CLCS products. Please contact our sales department before ordering to ensure you have the correct specification for your application.



UK Telephone
Int Telephone
Email
Website

Chubb Locks Custodial Services Ltd
Well lane, Wolverhampton, WV11 1TB, United Kingdom
01902 867730
00 44 1902 867730
sales@clcsLtd.co.uk
www.clcsLtd.co.uk

